



**Sky**  
Elevator  
www.sky-elevator.com

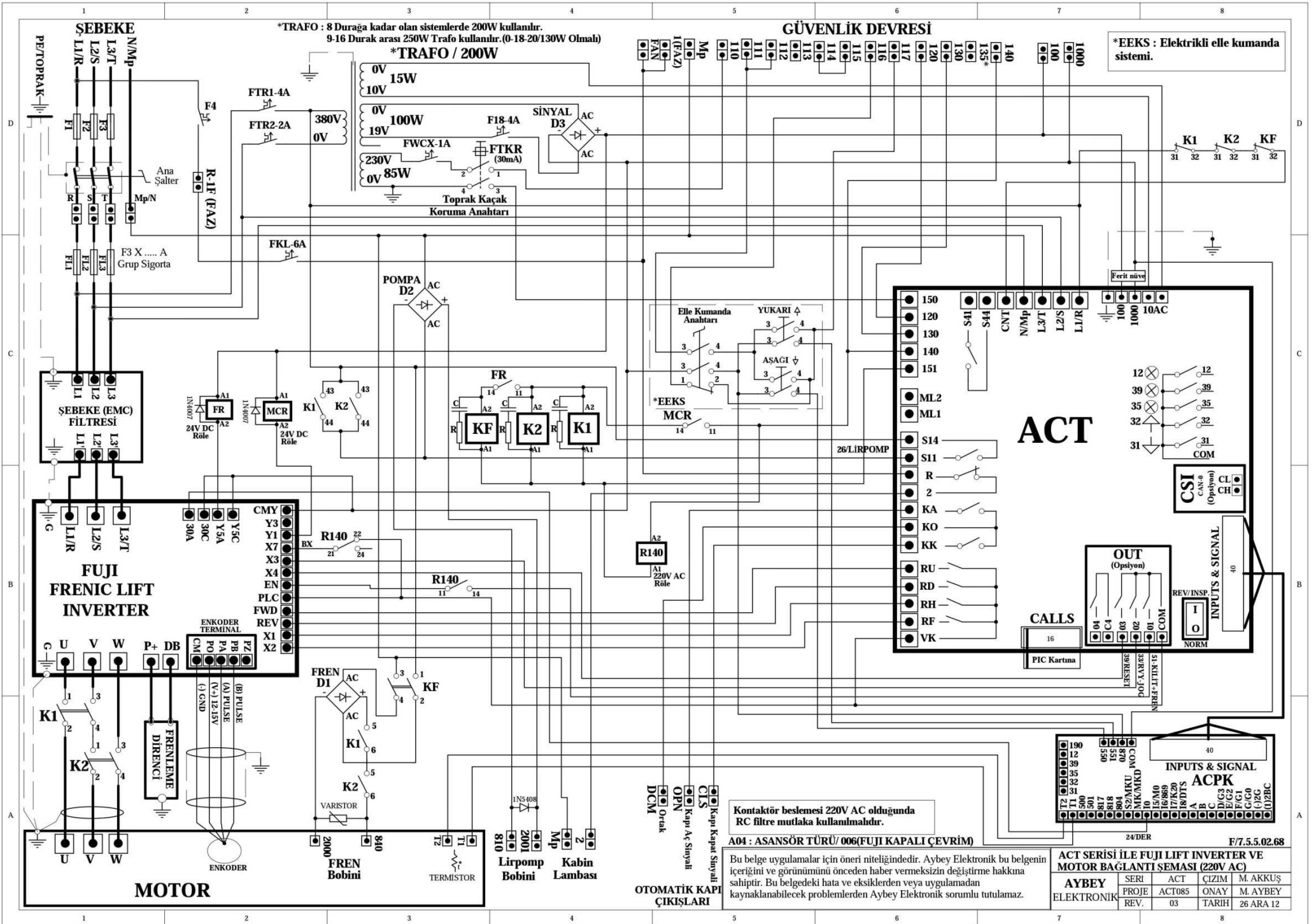


## Sky-3II (ACT)

**ASANSÖR KUMANDA KARTLARI  
KULLANIM KILAVUZU**

**AC SERİ ASANSÖR KONTROL SİSTEMİ**

V - 2.0



\*TRAFO : 8 Duruğa kadar olan sistemlerde 200W kullanılır.  
9-16 Durak arası 250W Trafo kullanılır. (0-18-20/130W Olmal)

\*TRAFO / 200W

**GÜVENLİK DEVRESİ**

\*EKS : Elektrikli elle kumanda sistemi.

**ACT**

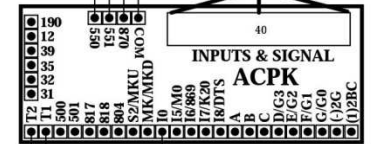
**CALLS**

16  
PIC Kartına

**OUT (Opsiyon)**

REV/INSP. INPUTS & SIGNAL

1 0 NORM

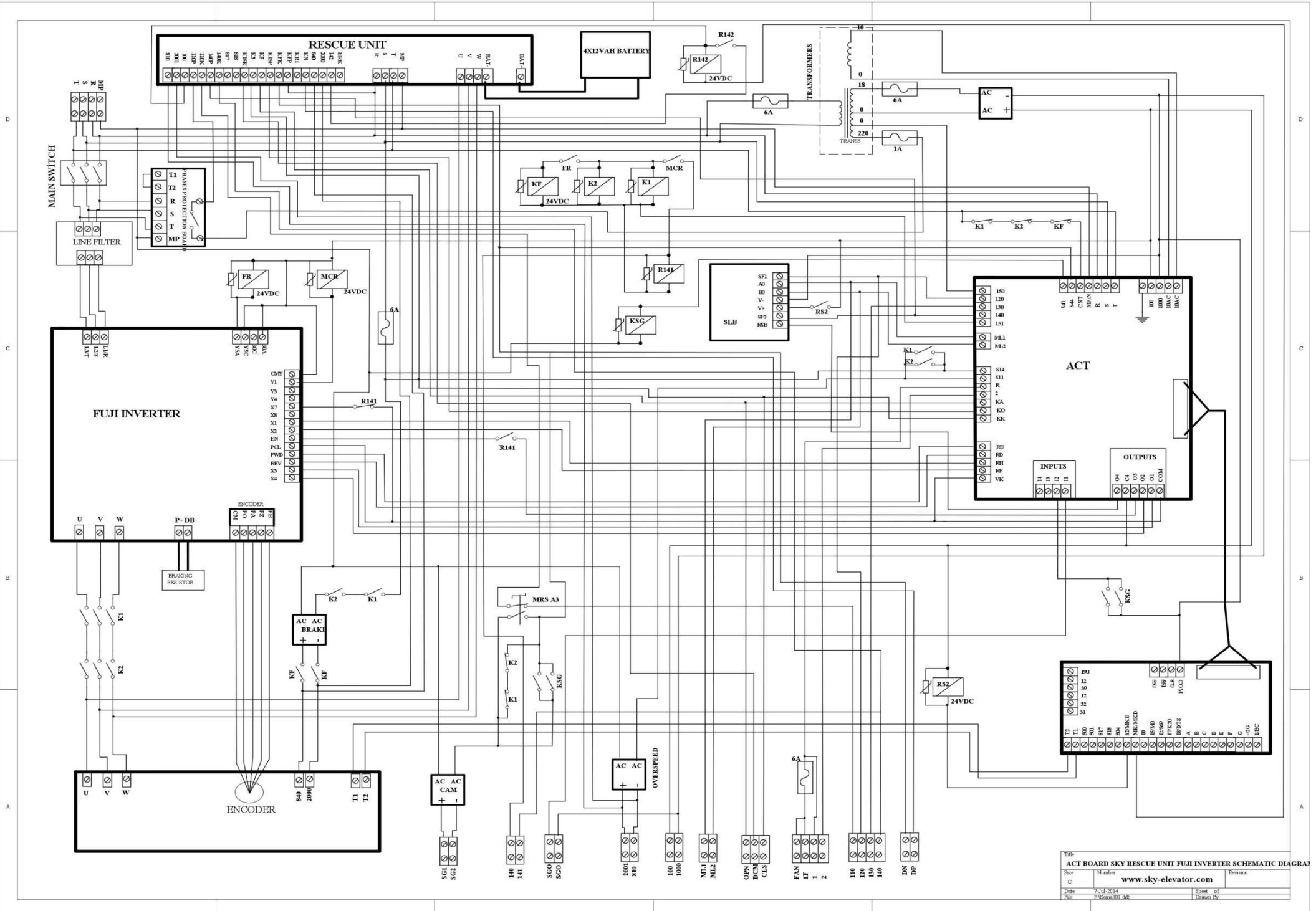


Kontakör beslemesi 220V AC olduğunda RC filtre mutlaka kullanılmalıdır.

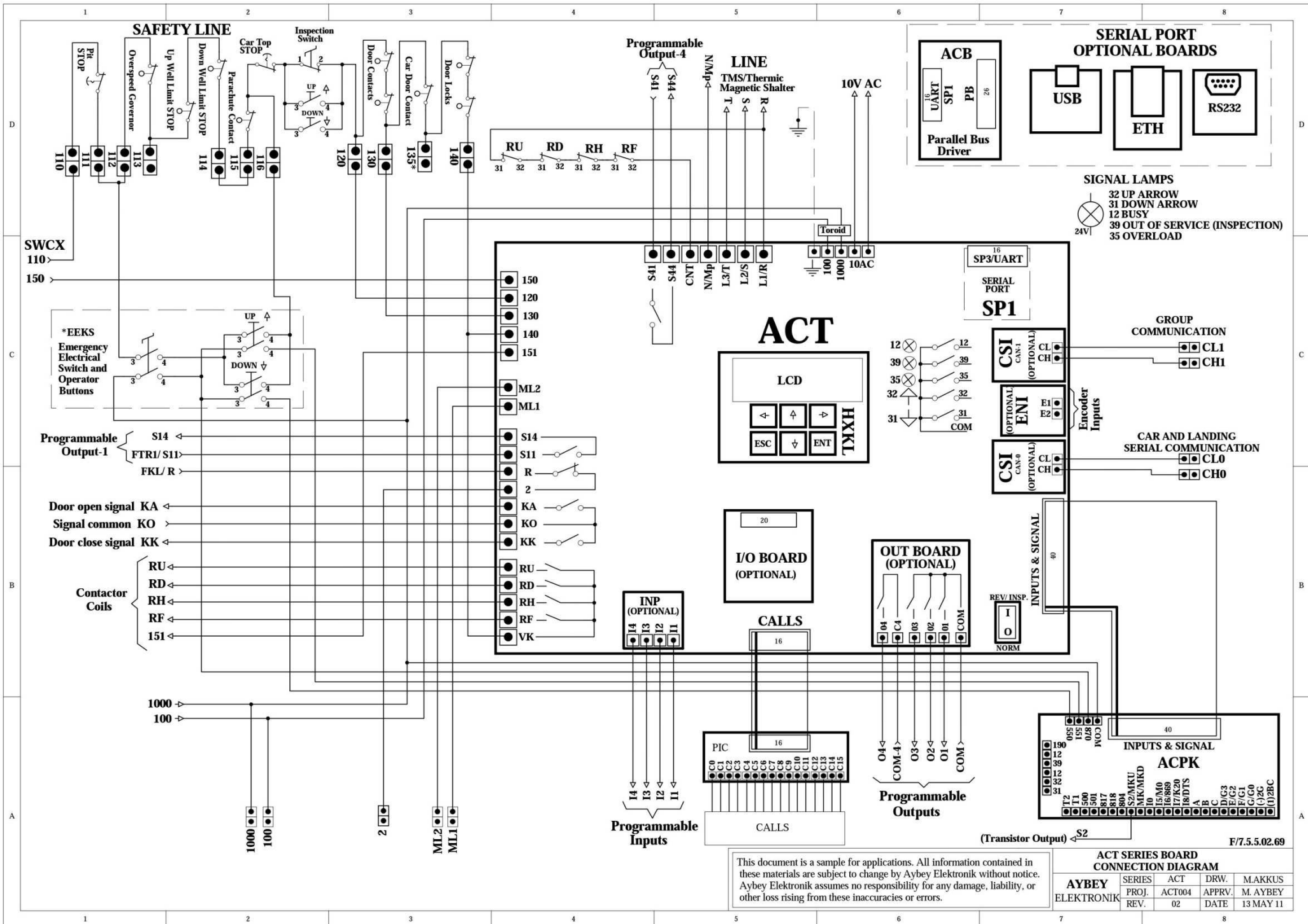
A04 : ASANSÖR TÜRÜ/ 006(FUJI KAPALI ÇEVİRİM)

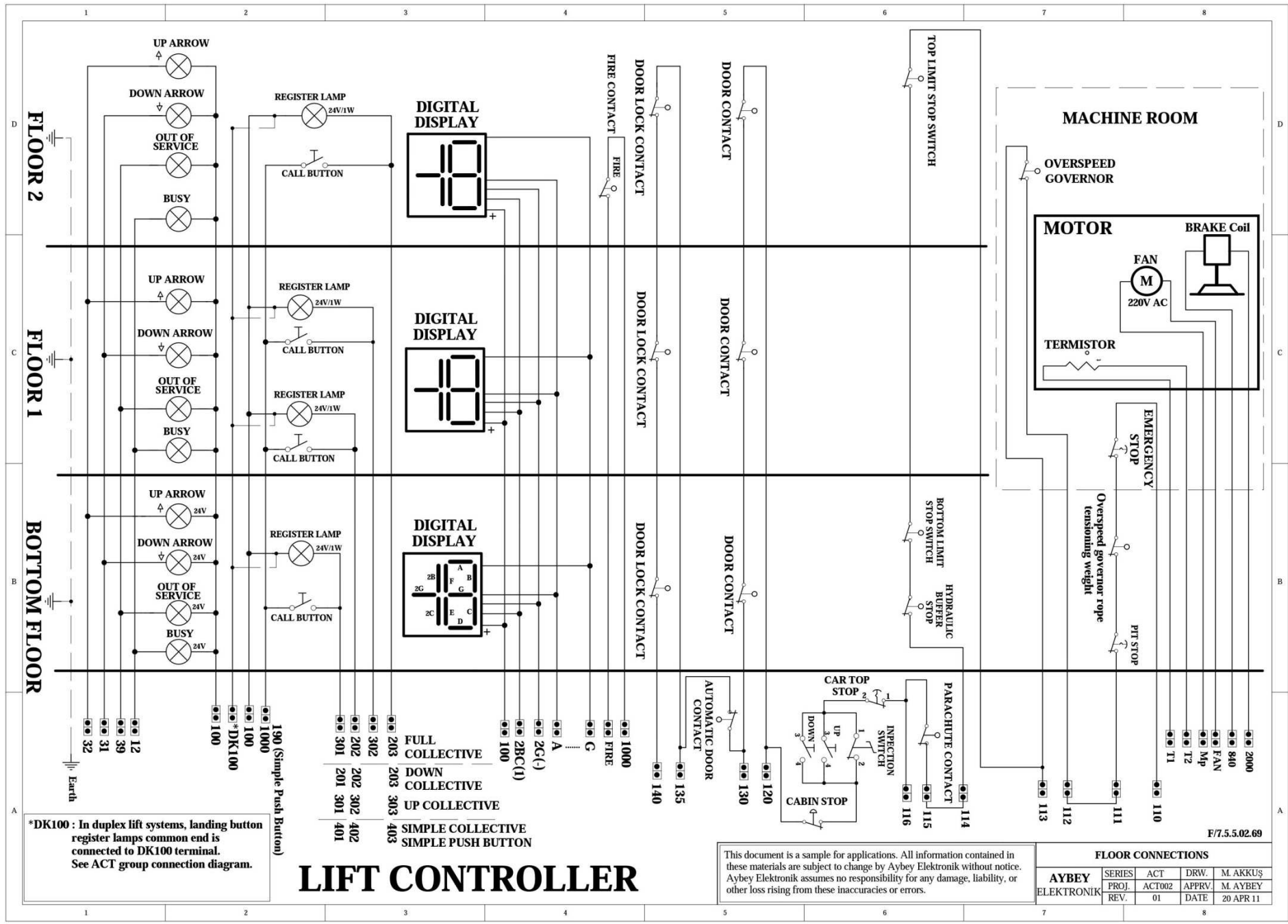
Bu belge uygulamalar için öneri niteliğindedir. Aybey Elektronik bu belgenin içeriğini ve görünümünü önceden haber vermeksizin değiştirme hakkına sahiptir. Bu belgedeki hata ve eksiklerden veya uygulamadan kaynaklanabilecek problemlerden Aybey Elektronik sorumlu tutulamaz.

ACT SERİSİ İLE FUJI LIFT İNVERTER VE MOTOR BAĞLANTI ŞEMASI (220V AC)			
AYBEY ELEKTRONİK	SERİ	ACT	ÇİZİM
	PROJE	ACT085	ONAY
	REV.	03	TARİH
			M. AKKUŞ
			M. AYBEY
			26 ARA 12



Title			
ACT BOARD SKY RESCUE UNIT FUJI INVERTER SCHEMATIC DIAGRAM			
Size	Number	Revision	
C		www.sky-elevator.com	
Date	7 Jul 2014	Sheet	of
File	F31ema301.dwg	Drawn	By





\*DK100 : In duplex lift systems, landing button register lamps common end is connected to DK100 terminal. See ACT group connection diagram.

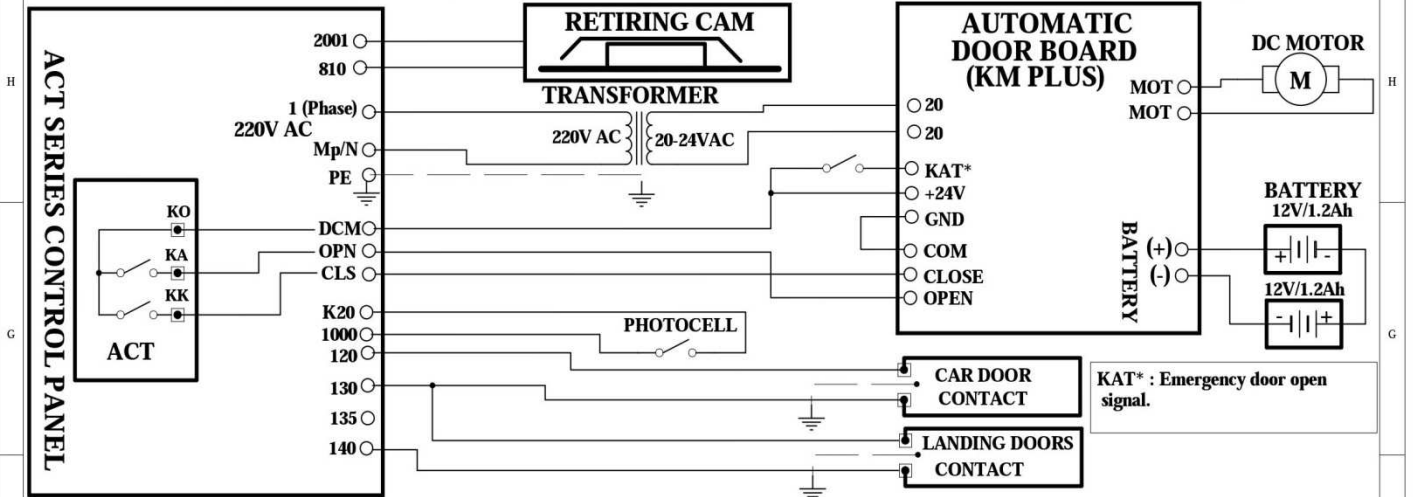
# LIFT CONTROLLER

This document is a sample for applications. All information contained in these materials are subject to change by Aybey Elektronik without notice. Aybey Elektronik assumes no responsibility for any damage, liability, or other loss rising from these inaccuracies or errors.

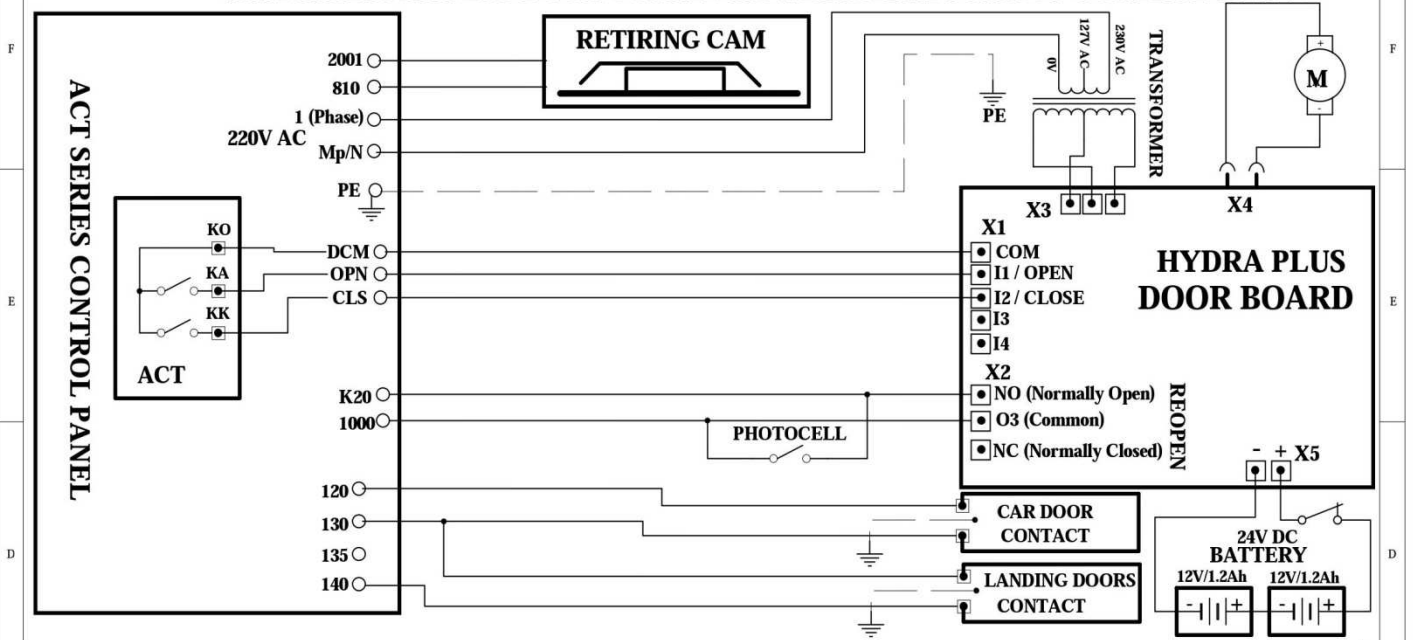
FLOOR CONNECTIONS				
AYBEY ELEKTRONIK	SERIES	ACT	DRW.	M. AKKUŞ
	PROJ.	ACT002	APPRV	M. AYBEY
REV.	01	DATE	20 APR 11	

F/7.5.5.02.69

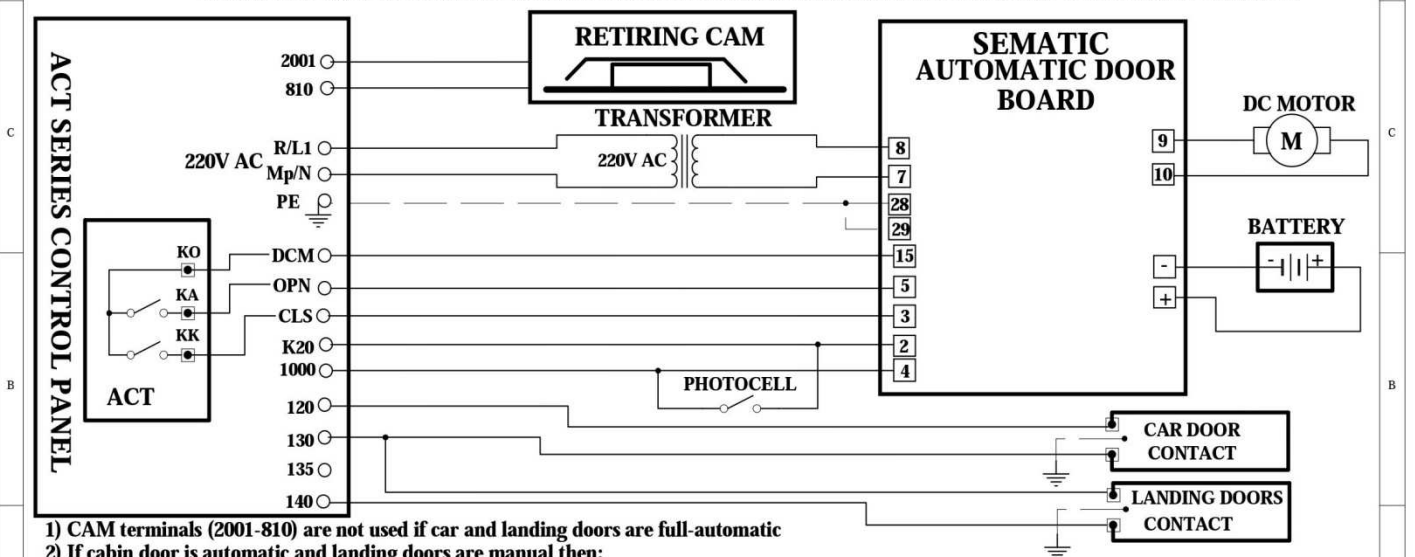
## MERIH AND TROMP DOOR CONNECTION DIAGRAM FOR ACT CONTROL PANEL



## WITTUR HYDRA PLUS DOOR CONNECTION DIAGRAM FOR ACT CONTROL PANEL



## SEMATIC AUTOMATIC DOOR CONNECTION DIAGRAM FOR ACT CONTROL PANEL



- 1) CAM terminals (2001-810) are not used if car and landing doors are full-automatic
- 2) If cabin door is automatic and landing doors are manual then:  
 Landing door contacts are serially connected to 120-130 terminals.  
 Car door contacts are serially connected to Car door contact (130-135) terminals.  
 Landing door lock contacts are serially connected to Car door contact (135-140) terminals.

F/7.5.5.02.69

This document is a sample for applications. All information contained in these materials are subject to change by Aybey Elektronik without notice. Aybey Elektronik assumes no responsibility for any damage, liability, or other loss rising from these inaccuracies or errors.

### MERIH, TROMP, HYDRA PLUS AND SEMATIC DOOR CONNECTION DIAGRAM

AYBEY ELEKTRONIK	SERIES	ACT	DRW.	M. AKKUŞ
PROJ.	ACT063	APPRV.	M. AYBEY	
REV.	00	DATE	22 JUN 10	